

Title		
Size A4	Number	Revision
Date:	2011-03-16	Sheet of
File:	E:\Elektronika\USB_UniProg.SchDoc	Drawn By:

UniProg USB v1.0

C1

K1

C4

IC3

C2

USB

U1

TXL

R1

R2

RXL

R5

R6

T1

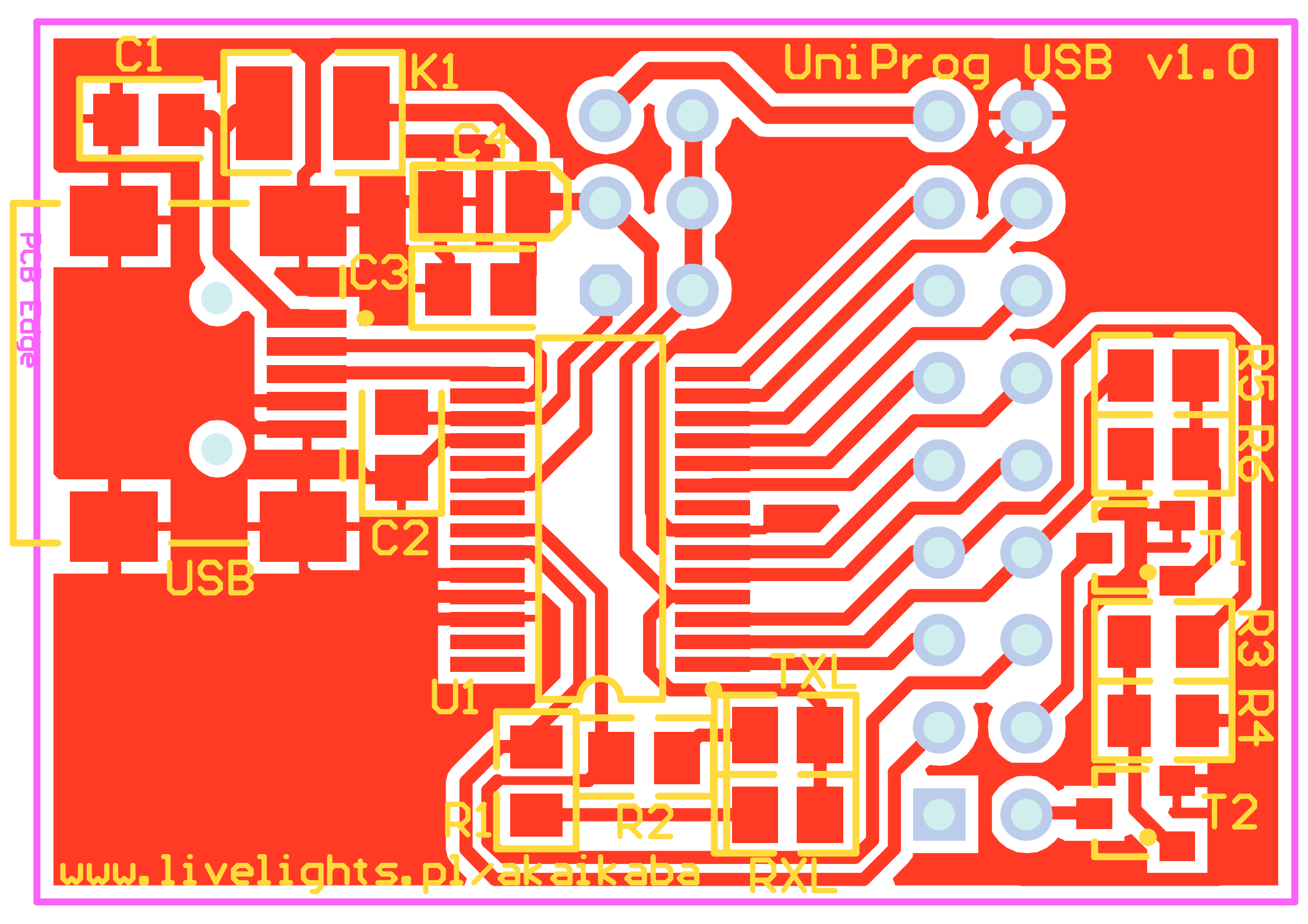
R3

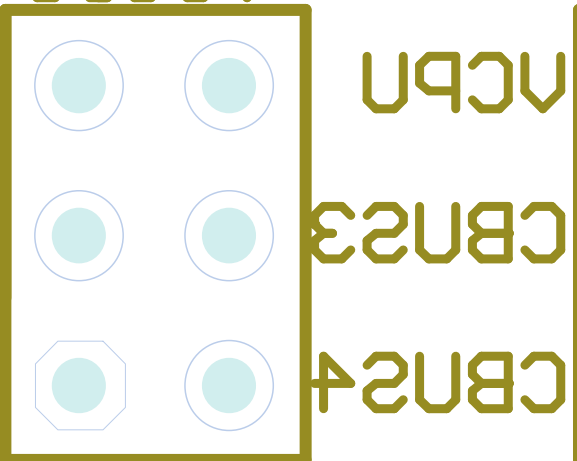
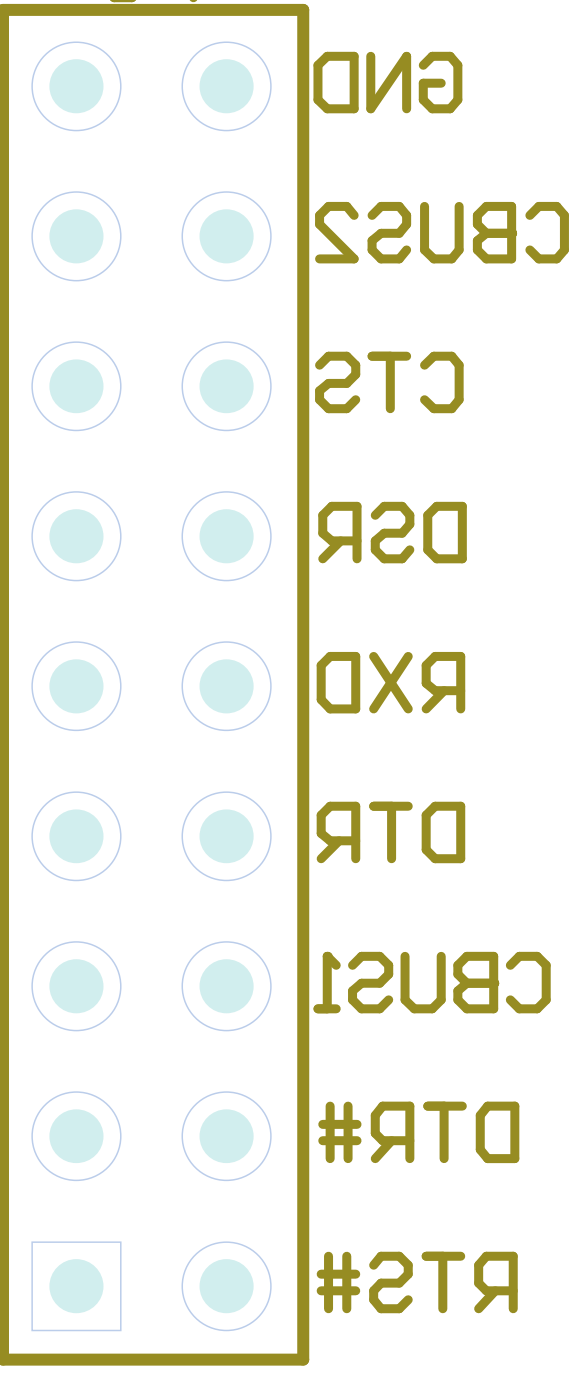
R4

T2

PCB Edge

www.livelights.pl/akaikaba





VCPN
+2V
+3V3

VCCIO

PC

PC	AVR	ARM	MSP
RXD	MOSI	TXD	P1.0
TXD	MISO	RXD	P1.1
DTR	RST	---	RST
RTS	SCK	---	TCK
DTR#	---	RST	---
RTS#	---	ISP	---
END	END	END	END

NU1B10A N2B N1.0

